

KENWOOD VALVE CONTROLS (INDIA) PRIVATE LIMITED

Junction box

Product Information

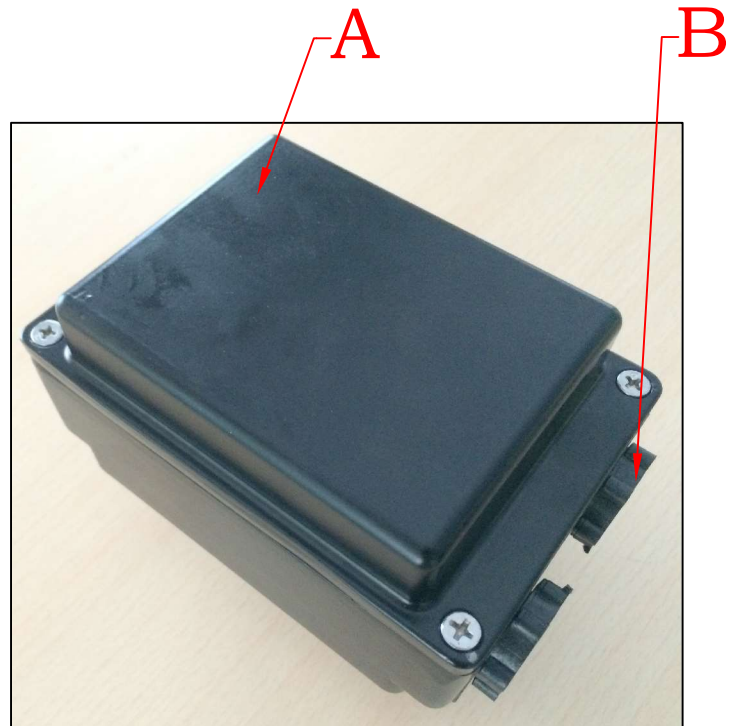
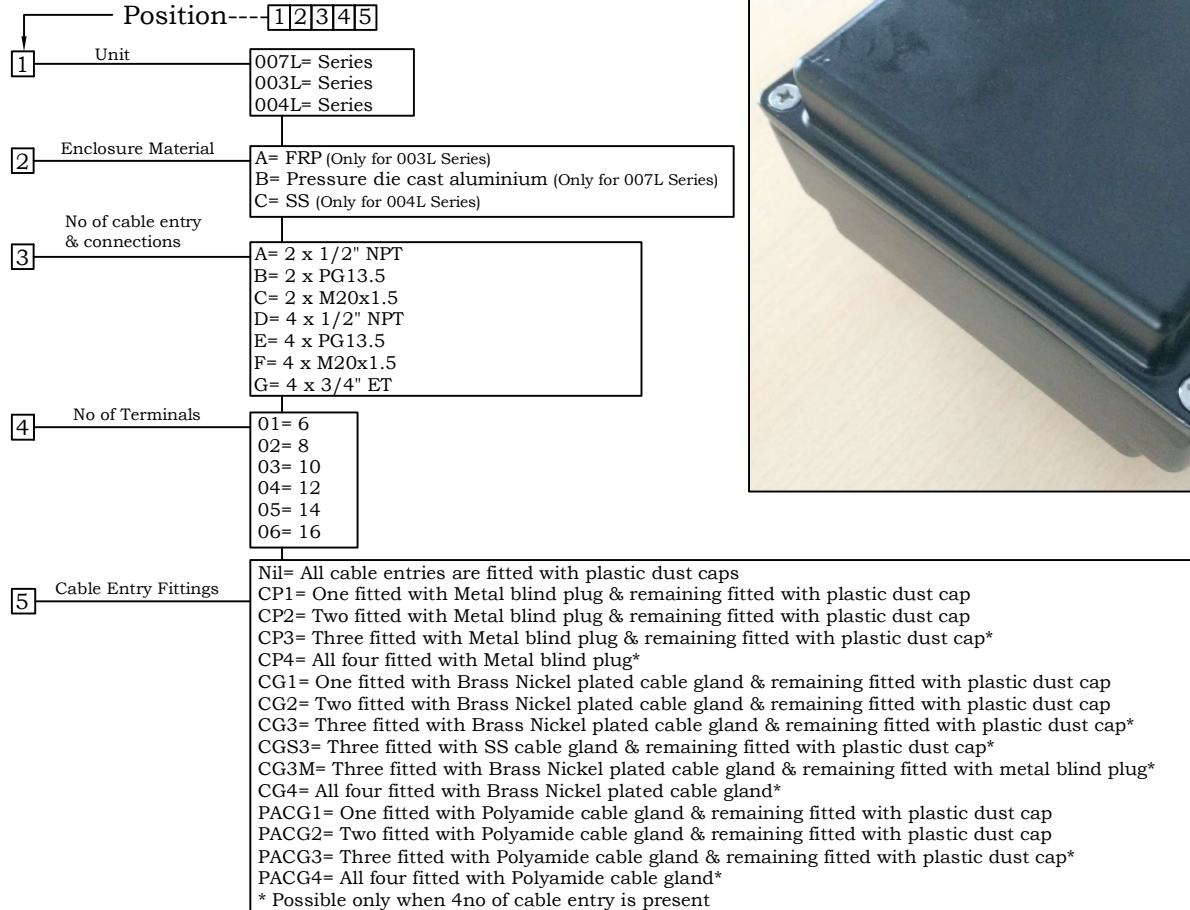
Main Features:

- A. Enclosure material Pressure die cast aluminium/ FRP/ SS
- B. 1/2" NPT; M20x1.5; PG13.5; 3/4"ET Conduit entries.
- C. Maximum of 16 terminals.

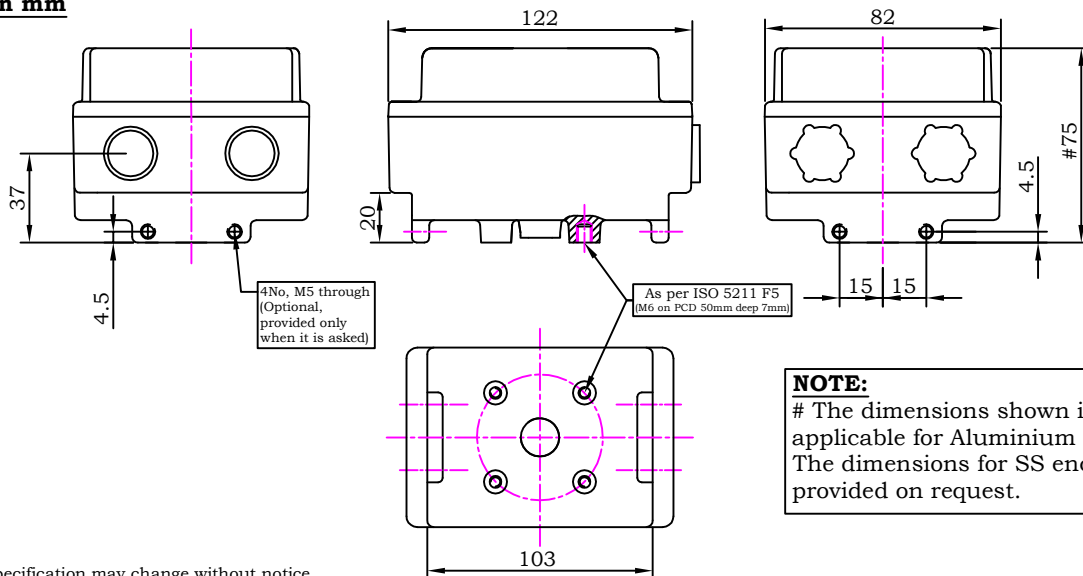
Dust and watertight Protection:

IP-67

Model/part coding:



Dimensions in mm



NOTE:
The dimensions shown in the figure is applicable for Aluminium & FRP enclosure. The dimensions for SS enclosure will be provided on request.

Product design & specification may change without notice

Drawing is not to scale

Example (Item coding/Ordering code)

003L[A][A][0][CP1]---Junction box FRP Body, 2No of 1/2"NPT(F) conduit entries and 6No of terminals, One cable entry is fitted with Metal blind plug & remaining one is fitted with plastic dust cap

KENWOOD VALVE CONTROLS (INDIA) PRIVATE LIMITED

An ISO 9001 Certified Company
 C-217, MT sagar Industrial Estate, Gokul Road, Hubli-580030(INDIA).
 Telefax: +91-836-2232118/2333118
 E-mail: preorders@kenwoodvalvecontrols.com
 Website: www.kenwoodvalvecontrols.com

Catalogue:007LJB/2022/06